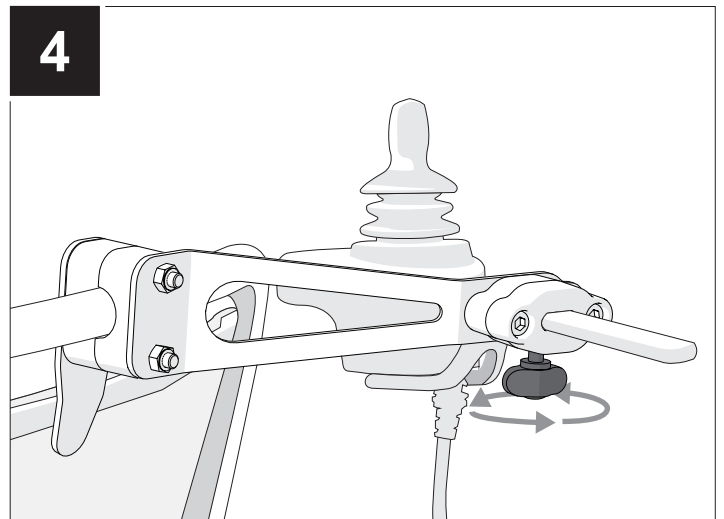
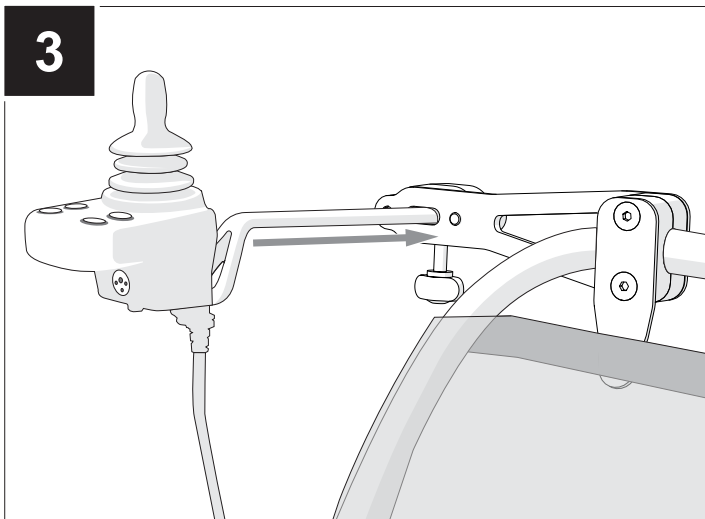
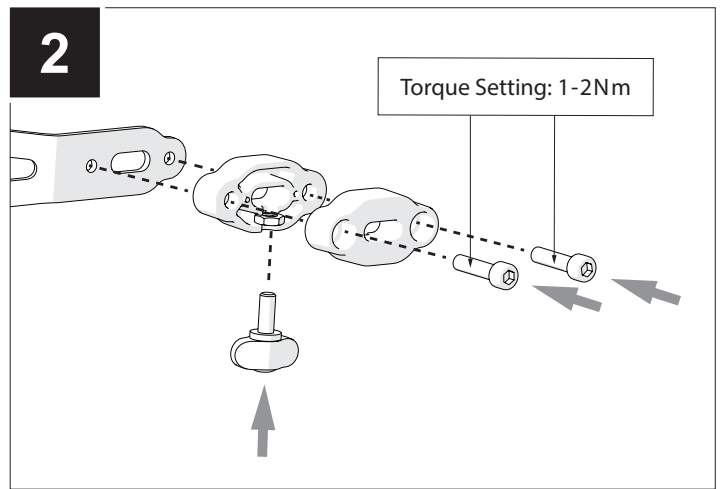
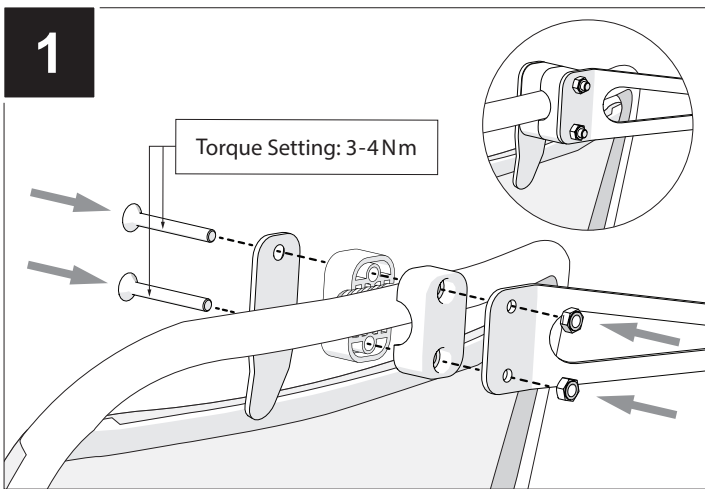
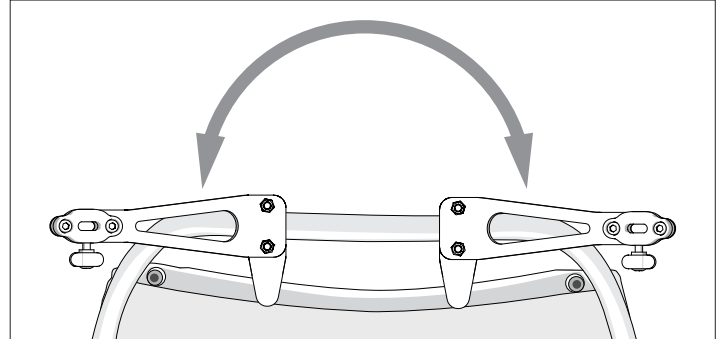
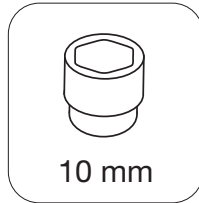
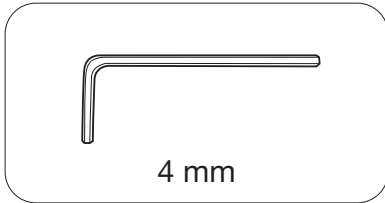


Q50R Carbon | Attendant control mount kit

ATTENDANT CONTROL MOUNTING

When the joystick is fitted as an attendant control the Power Wheelchair may be operated by an assistant on behalf of the user.

- Make sure you heed all warnings and follow all instructions in each section of the owner's manual, or instructions for use. Warnings that apply to the user also apply to you the assistant.
- Do not stand or sit on any portion of this seating system.
- You need to work with the user, and the user's doctor, nurse or therapist, to develop safe methods best suited to your abilities and those of the user.
- Make sure that the joystick is fixed securely to the chair backrest, and you always have comfortable access to the joystick while the chair is moving.
- Set the speed of the powerchair to a speed that you can comfortably follow.
- Always turn off the power to the joystick when leaving the user in the chair.